

**AV-275 - VOLVO - TAD 734 GE**

**1.500 R.P.M. | 50 Hz**

## TECHNICAL SPECIFICATIONS



Model:

**AV-275**

Gen set with manual control panel.

Image for guidance purposes.

ENGINE	MAKE	MODEL
	VOLVO	TAD 734 GE
ALTERNATOR	MODEL	
	MECC-ALTE ECO 38-1LN	

(400 / 230 V)

CONTINUOUS POWER: (PRP "Prime Power" norma ISO 8528-1)	<b>250 kVA</b>
STAND-BY POWER: (LTP "Limited Time Power" norma ISO 8528-1)	<b>275 kVA</b>

### Amperes in the different voltages:

VOLTAGE	HZ	PHASE	COS Ø	PRP KVA/KW	LTP KVA/KW	AMPERAGE
415/240	50	3	0,8	250,0/200,0	275,0/220,0	383,04
400/230	50	3	0,8	250,0/200,0	275,0/220,0	397,4
380/220	50	3	0,8	250,0/200,0	275,0/220,0	418,31
240/139	50	3	0,8	250,0/200,0	275,0/220,0	662,33
230/133	50	3	0,8	250,0/200,0	275,0/220,0	691,13
220/127	50	3	0,8	250,0/200,0	275,0/220,0	722,54

**ELECTRO EXIM SRL**

**ELECTRO EXIM SRL**  
21 Ialomicioarei St., sector 1, code 011277, BUCHAREST - ROMANIA  
Phone: 0040 21 2231347 - 0040 744 755 390 - FAX: 0040 21 2231201  
E-mail: office@electroexim.com - Web: www.electroexim.ro

**AV-275 - VOLVO - TAD 734 GE**

**1.500 R.P.M. | 50 Hz**

## ENGINE CHARACTERISTICS

MAKE	MODEL
VOLVO	TAD 734 GE

### GENERAL DATA

Power PRP (kWm)	217.00
Power LTP (kWm)	241.00
No. cylinders	6
Cylinder capacity (L)	7.15
Diameter per stroke (mm)	108 x 130
Compression ratio	17
Cooling system	LIQUID
Injection	DIRECT
Suction	TURBO-INTERC.
Series regulator	ELECTRONIC
Fly wheel coupling	2-11,5"

### Lubrication system

Oil capacity (L)	29
Oil consumption (%)	0.06
Min. alarm oil pressure (bar)	1

### Ventilation system

Air cooling flow (m3/h)	18720
Combustion air flow (m3/h)	684
Max. back pressure for fan (mbar)	0

### Exhaust system

Exhaust gas flow (m3/h)	1980
Exhaust back pressure (mbar)	100
Temp. exhaust gases (°C)	495

### Electrical system

VDC (V)	24
Battery (Ah)	120
Engine start-up (kW)	5

**ELECTRO EXIM SRL**

**ELECTRO EXIM SRL**  
21 Ialomicioarei St., sector 1, code 011277, BUCHAREST - ROMANIA  
Phone: 0040 21 2231347 - 0040 744 755 390 - FAX: 0040 21 2231201  
E-mail: office@electroexim.com - Web: www.electroexim.ro

**AV-275 - VOLVO - TAD 734 GE**

**1.500 R.P.M. | 50 Hz**

## ALTERNATOR CHARACTERISTICS

### MODEL

MECC-ALTE ECO 38-1LN (400 / 230 V)

### GENERAL DATA

Power PRP (kVA)	250
Power LTP (kVA)	275
Efficiency Alt. 3/4 %	93.70
Efficiency Alt. 4/4 %	93.40
No. Poles	4
Voltage regulator	DSR
No. wires	12
Insulation	H
Xd (%)	207
X'd (%)	14
X	7.20
Degree of protection	IP21

## GENERATOR SET CONSUMPTION

% POWER USED	LITRES/HOUR
50%	30
75%	42
100%	52.00

## DIMENSIONS, CAPACITIES, APPROXIMATE WEIGHT AND NOISE

LENGTH	DIMENSIONS (MM)	
	WIDTH	HEIGHT
3000	1200	1834
FUEL TANK (LITRES)		WEIGHT (KG)
450		2050.00
NOISE LEVEL (dB (A))		

**AV-275 - VOLVO - TAD 734 GE**

**1.500 R.P.M. | 50 Hz**

## **INMESOL GENERATOR SET**

### **GENERAL DESCRIPTION**

The "INMESOL" generator set is an electrical energy generating machine which is used in places where there **is no mains supply** or when there is a MAINS failure.

The mobile elements, distribution belt, fan, etc., and those parts which reach high temperatures during operation, exhaust manifold, etc, include their corresponding protections, in compliance with the requirements of the Machinery Directive **2006/42**.

### **REGULATIONS**

The machine holds the "CE" marking, and the corresponding Declaration of Conformity is issued with each of them, in which it specifies that the machine complies with **R.D 842/2002 Low Voltage Regulations and with the European Directives:**

- 2006/42 on Safety in Machinery.
- 2006/95/CE on Electrical Safety.
- 2004/108/CE on Electromagnetic Compatibility.
- 2005/88/CE on NOISE EMISSIONS by equipment for outdoor use (for SOUNDPROOF GENERATOR SETS).

**AV-275 - VOLVO - TAD 734 GE**

**1.500 R.P.M. | 50 Hz**

**IN INDUSTRIAL RANGE / SCOPE OF SUPPLY**

		
Engine/alternator monobloc directly connected and installed via silent blocks on a frame made from high tensile electro welded steel profiles that are treated with degreasing liquids and aplicated with a phosphate coat and epoxi paint.	<input checked="" type="checkbox"/>	<input checked="" type="checkbox"/>
Canopy of steel sheet sound proofed with fireproof rockwool, and treated with degreasing liquids and aplicated with a phosphate coat and epoxi paint.	<input type="checkbox"/>	<input checked="" type="checkbox"/>
Fuel tank integrated in the base frame provided with fuel level jauge and fuel connections to the engine.	<input checked="" type="checkbox"/>	<input checked="" type="checkbox"/>
Engine with mechanical engine driven pusher fan.	<input checked="" type="checkbox"/>	<input checked="" type="checkbox"/>
Industrial silencer with -15 db(A) noise reduction and exhaust outlet tube.	<input checked="" type="checkbox"/>	<input type="checkbox"/>
Residencial silencer with -35 db(A) noise reduction with exhaust tube and protection cap.	<input type="checkbox"/>	<input checked="" type="checkbox"/>
Electric control cubicle with control module including protection and reading of electrical meassures engine instrumentation fuel level and engine running hours, etc.	<input checked="" type="checkbox"/>	<input checked="" type="checkbox"/>
Termal and magnetic circuit breaker and termal and magnetic circuit breaker and earth fault relay.	<input checked="" type="checkbox"/>	<input checked="" type="checkbox"/>
Battery charge alternator.	<input checked="" type="checkbox"/>	<input checked="" type="checkbox"/>
Starter battery complete with cables to the engine and pole protection.	<input checked="" type="checkbox"/>	<input checked="" type="checkbox"/>
Installation prepared for earthing spike (spike not included).	<input checked="" type="checkbox"/>	<input checked="" type="checkbox"/>
Security protection for heat and moving parts as well as live electrical components.	<input checked="" type="checkbox"/>	<input checked="" type="checkbox"/>
External emergency stop push button.	<input checked="" type="checkbox"/>	<input checked="" type="checkbox"/>
Manual engine oil extraction pump.	<input type="checkbox"/>	<input checked="" type="checkbox"/>
Self excited and auto regulated alternator.	<input checked="" type="checkbox"/>	<input checked="" type="checkbox"/>
Integrated lifting hook for single point lifting with crane, gensets up to 450 kVA (Except in swing-out cover model)	<input type="checkbox"/>	<input checked="" type="checkbox"/>
4 Lifting points for gen sets from 450 kVA and bigger.	<input checked="" type="checkbox"/>	<input type="checkbox"/>
Preparate for extended fuel tank, fully bomded for leakage protection.	<input checked="" type="checkbox"/>	<input checked="" type="checkbox"/>
Base frame is prepared for trailer kit installation.	<input checked="" type="checkbox"/>	<input checked="" type="checkbox"/>
Standard electronic speed governor on engines from 220 kVA (LTP) and up.	<input checked="" type="checkbox"/>	<input checked="" type="checkbox"/>
Horizontal outlet for hot air	<input type="checkbox"/>	<input checked="" type="checkbox"/>

AV-275 - VOLVO - TAD 734 GE

1.500 R.P.M. | 50 Hz

## DSE 7310 MANUAL CONTROL PANEL

### DSE 7310 MANUAL CONTROL PANEL

MANUAL CONTROL, PROTECTION AND DISTRIBUTION panel, assembled on the generator set in metal cabinet with a DSE 7310 engine protection unit.



Image for guidance purposes.

It has the following:

**1** EMERGENCY STOP PUSHBUTTON.

**2** PROTECTIONS:

- Magnetothermal Protection
- Earth Leak Protection
- Protection fuses for control module

AV-275 - VOLVO - TAD 734 GE

1.500 R.P.M. | 50 Hz

## DSE 7310 MANUAL CONTROL PANEL

- 3 DSE 7310 CONTROL and PROTECTION CENTRE.** It has a digital LCD screen, which provides easy reading of the information regarding the ENGINE, ALTERNATOR and CHARGING.

### READINGS that can be made:

#### ENGINE:

- Coolant temperature
- Oil pressure
- Turning speed (rpm)
- Fuel level
- Battery voltage
- Battery alternator voltage.
- Operating hours
- Number of start-ups

#### ALTERNATOR AND CHARGE:

- Voltages between phases and between phases and neutral.
- Intensities
- Frequency
- Active Power (kW)
- Reactive Power (kVAr)
- Apparent Power (kVA)
- Cos phi
- Active energy meter (kW-h)

### CONTROL of the set:

- START AND STOP the set MANUALLY.
- Possibility of doing it AUTOMATICALLY via START ON SIGNAL.

### PROTECTION of the engine and alternator, with the ALARMS activated:

#### ENGINE:

- Low oil pressure
- High coolant temperature
- Low and High battery Voltage
- Failure of the alternator to charge batteries
- Low fuel level.

#### ALTERNATOR:

- Low and High Voltage
- Low and High Frequency
- Overload due to Intensity (A)
- Short-circuit
- Negative Phase Sequence.
- Power Overload (KW-kVA)
- Load control:
  - 1.Connection and disconnection of artificial loads.
  - 2.Disconnection of non-essential loads

AV-275 - VOLVO - TAD 734 GE

1.500 R.P.M. | 50 Hz

**DSE 7310 MANUAL CONTROL PANEL**

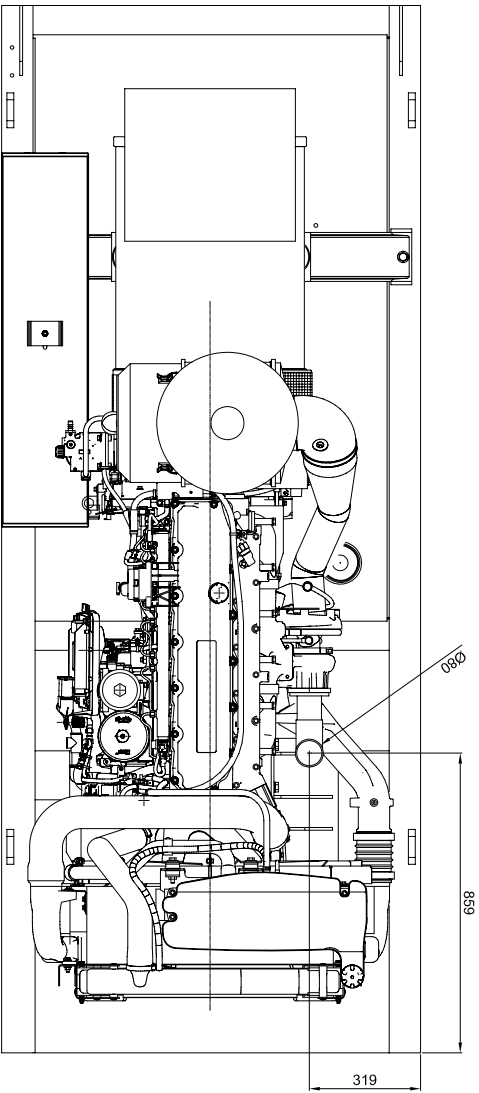
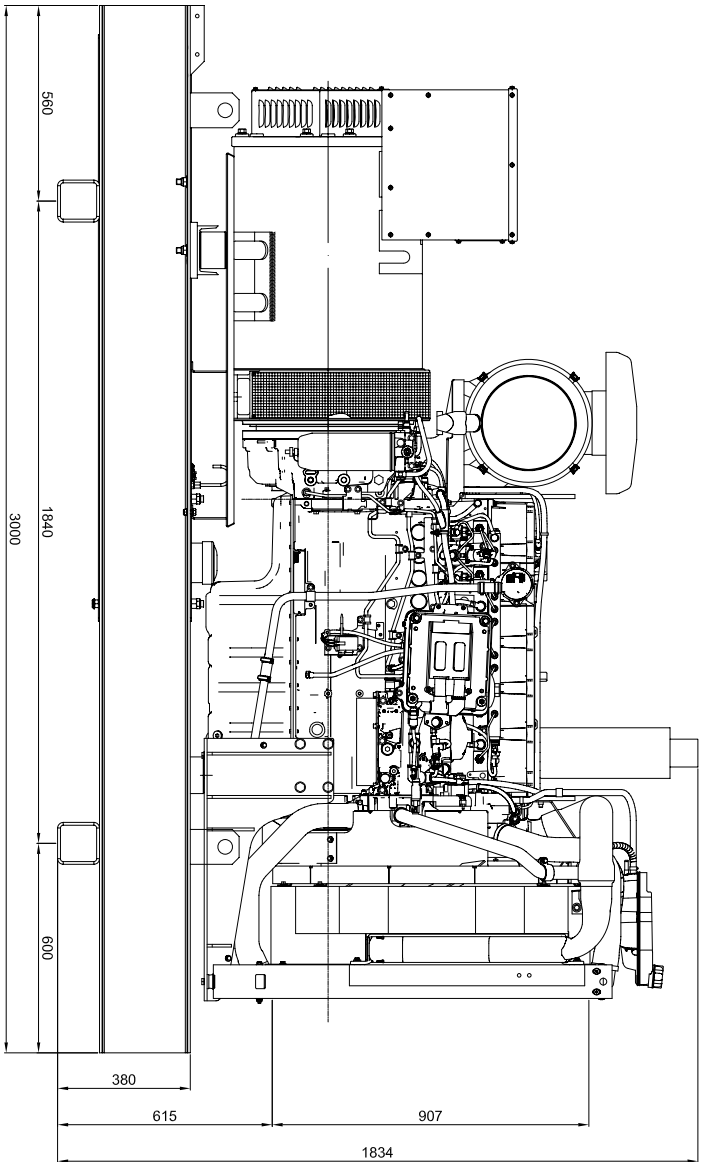
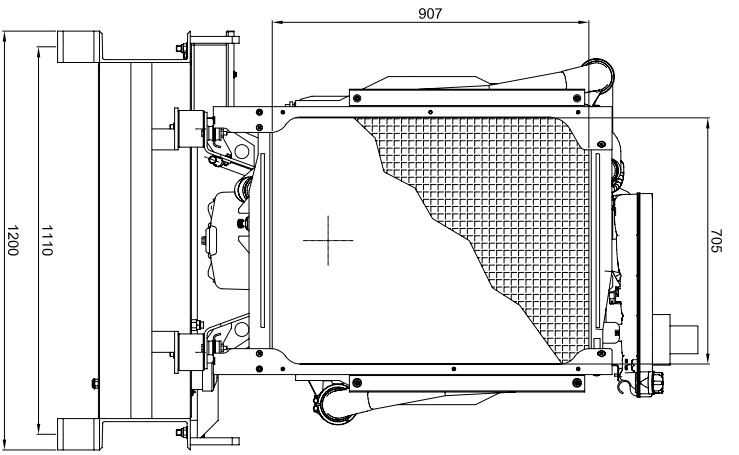
**OTHER CHARACTERISTICS:**

- The real-time clock provides an exact record of events
- Extensive number of configurable inputs and outputs.
- Configurable alarms and timers.
- USB connectivity
- Fully configurable via software and PC
- Modbus RTU
- Possibility of SMS text messages
- Communications Ethernet, RS 232 and RS 485
- Programmer Clock with multiple maintenance events which can be configured for the optimal operation of the engine. Weekly and/or monthly programming of up to 16 starts and stops per week.

For OPEN sets - Three-phase generators (single phase by request):

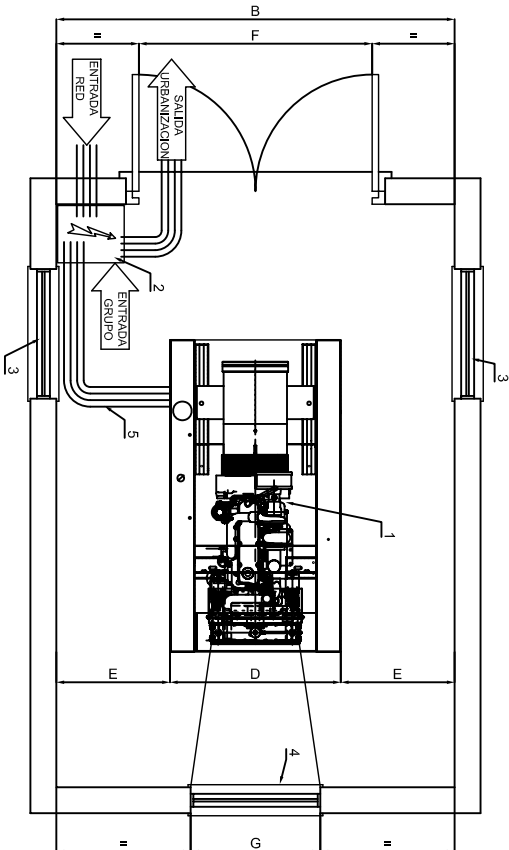
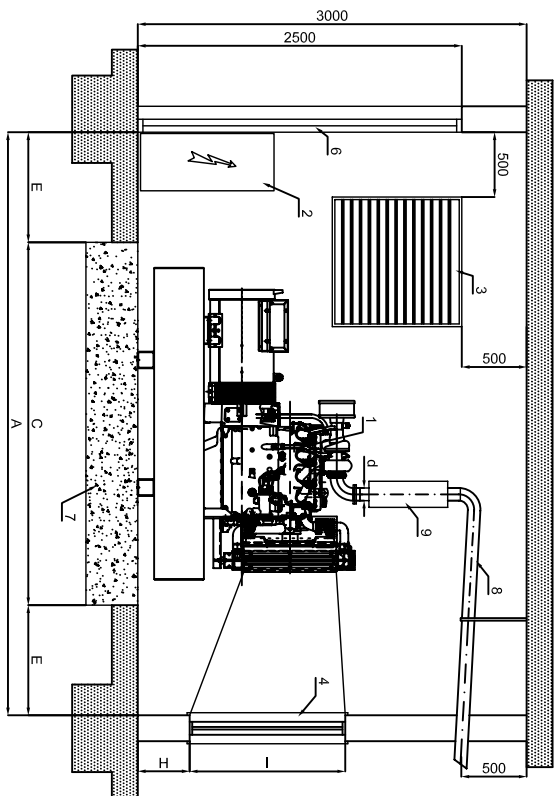
CONT . POW.	MAGNETO. PROTECTION (A)	EARTH LEAK PROTECTION	DISTRIBUTION
SET POWER	10 kVA	4P, 16A (B) 1P+N 16 A (C)	Mod. 16A, 300 mA 1 BASE CEE 3P+N+T 16A 1 BASE CEE 2P+T 16 A
	15 kVA	4P, 25A (B) 1P+N 16 A (C)	Mod. 25A, 300 mA 1 BASE CEE 3P+N+T 32A 1 BASE CEE 2P+T 16 A
	20 kVA	4P, 32A (B)	Mod. 32 A, 300 mA POWER TERMINALS
	30 kVA	4P, 50 A (B)	Mod. 63 A, 300 mA POWER TERMINALS
	40 kVA	4P, 63 A (B)	Mod. 63 A, 300 mA POWER TERMINALS
	50 kVA	4P, 80 A (B)	Electronic adjustable POWER TERMINALS
	60 kVA	4P, 100 A (B)	Electronic adjustable POWER TERMINALS
	75-80 kVA	4P, 125 A (B)	Electronic adjustable POWER TERMINALS
	100 kVA	3P, 160 A (B)	Electronic adjustable POWER TERMINALS
	125-170 kVA	3P, 250 A (B)	Electronic adjustable POWER TERMINALS
	180-275 kVA	3P, 400 A (B)	Electronic adjustable OUTPUT DIRECTLY FROM THE CIRCUIT BREAKER
	300-430 kVA	3P, 630 A (B)	Electronic adjustable OUTPUT DIRECTLY FROM THE CIRCUIT BREAKER
	450-550 kVA	3P, 800 A (B)	Electronic adjustable OUTPUT DIRECTLY FROM THE CIRCUIT BREAKER
	570-665 kVA	3P, 1000 A (B)	Electronic adjustable OUTPUT DIRECTLY FROM THE CIRCUIT BREAKER





CAPACIDAD DE DEPOSITO = 450 LTS

<p>Las tolerancias a seguir en dibujos de piezas, a de          lido, perfilado, etc., se darán como acabados de          mecanizado, a menos que se indique lo contrario en          especificaciones de cada pieza.</p>		<p>PROYECTO:</p>	
ESCALA		<p>G. E. EST-STD 250 Kva VOLVO (TAD 734 GE)</p>	
REVISIÓN		<p>DENOMINACION:</p>	
FECHA		<p>DIMENSIONES GENERALES</p>	
MODIFICADO	J.S.BELAR	MATERIAL	
DIBUJADO	A.L.SOLANO	TOLERANCIA GENERAL	
COMPROBADO		UDS.	
CODIGO		EXPEDIENTE:	
REVISIÓN		Nº MOD.	
FECHA		Nº PLANO	
		MARCA	



DIMENSIONES DE SALA SEGUN POTENCIA												
POTENCIA	A	B	C	D	E	F	G	H	I	d	PESO	SECCION HUECO ENTRADA AIRE
85 Kva	4050	2930	2050	930	1000	1430	800	450	800	80	1100	2x1,00 m2
105 Kva	4250	2930	2250	930	1000	1430	900	450	900	80	1320	2x1,00 m2
130 Kva	4250	3035	2250	1035	1000	1535	900	450	900	80	1460	2x1,00 m2
150 Kva	4500	3035	2500	1035	1000	1535	900	500	900	80	1620	2x2,00 m2
180 Kva	4500	3035	2500	1035	1000	1535	1000	500	1100	80	1608	2x2,00 m2
200 Kva	4500	3035	2500	1035	1000	1535	1000	500	1100	80	1780	2x2,00 m2
250 Kva	5000	3200	3000	1200	1000	1700	1200	500	1100	80	1950	2x2,50 m2
300 Kva	5000	3200	3000	1200	1000	1700	1300	650	1200	110	2770	2x2,50 m2
350 Kva	5000	3200	3000	1200	1000	1700	1400	650	1300	110	3295	2x3,00 m2
375 Kva	5000	3200	3000	1200	1000	1700	1400	650	1300	110	2770	2x3,00 m2
400 Kva	5000	3200	3000	1200	1000	1700	1500	650	1500	110	3295	2x3,00 m2
450 Kva	5490	3300	3490	1300	1000	1800	1500	725	1500	110	3295	2x3,00 m2
500 Kva	5490	3300	3490	1300	1000	1800	1700	725	1700	110	4030	2x3,50 m2
550 Kva	5490	3300	3490	1300	1000	1800	1700	725	1700	110	4240	2x3,50 m2
620 Kva	5500	3330	3500	1330	1000	1880	1900	725	1900	110	4440	2x4,00 m2

- NOMENCLATURA**
- 1.- GRUPO ELECTROGENO
  - 2.- CUADRO DE CONTROL
  - 3.- HUECO ENTRADA DEL AIRE
  - 4.- TUNEL DE EXPULSION DEL AIRE
  - 5.- BANDEJA PASACABLES
  - 6.- PUERTA DE ACCESO
  - 7.- BASE HORMIGON ARMADO H-175
  - 8.- TUBO DE ESCAPE
  - 9.- SILENCIADOR DE ESCAPE

EL Ø DE LA TUBERIA DE EXTENSION DEL ESCAPE PUEDE SER EL MISMO QUE EL DEL SILENCIADOR HASTA 5 m. PARA DISTANCAS MAYORES DE 5 m. DEBE AUMENTARSE EL Ø DE LA TUBERIA 10 mm POR CADA 10 m MAS DE DISTANCIA ENTRE EL GRUPO ELECTROGENO Y LA SALIDA EXTERIOR

**CALCULO ESPESOR LOSA DE HORMIGON**

$$D = \frac{W}{d \times B \times L}$$

D = altura bloque de hormigon  
W = peso total grupo electrogeno  
d = densidad del hormigon (2400 kg/m<sup>3</sup>)  
B = anchura bloque de hormigon (m)  
L = longitud bloque de hormigon (m)

h = 20/100 mm

	PROYECTO: <b>GRUPO ESTATICO ESTANDAR VOLVO</b>			
	MODIFICADO	J.S.BELAR	07-Sep-2011	MATERIAL
<small>Las dimensiones o espesores de obra, a no ser que se indique lo contrario, se entenderán referidos a las condiciones de ejecución de obra normal. Toda referencia a un grupo electrogeno de potencia superior a 1000 kva, deberá ser autorizada por el fabricante del grupo electrogeno.</small>	DIBUJADO	J.S.BELAR	03-Mar-2006	TOLERANCIA GENERAL
	COMPROBADO	A.L.SOLANO	07-Sep-2011	UDS.
REISO	DENOMINACION: <b>GRUPOS EST-STD VOLVO</b>			EXPEDIENTE:
ESCALA	DIMENSIONES DE SALA			Nº PLANO
				MARCA