

AI-033 - FPT - F 32AM 1A

1.500 R.P.M. | 50 Hz

TECHNICAL SPECIFICATIONS



Model:

AI-033

Gen set with manual control panel.

Image for guidance purposes.

ENGINE	MAKE	MODEL
	FPT	F32AM1A
ALTERNATOR	MODEL	
	MECC-ALTE ECP 28-VL / 4	

(400 / 230 V)

CONTINUOUS POWER: (PRP "Prime Power" norma ISO 8528-1)	30 kVA
STAND-BY POWER: (LTP "Limited Time Power" norma ISO 8528-1)	33 kVA

Amperes in the different voltages:

VOLTAGE	HZ	PHASE	COS Ø	PRP KVA/KW	LTP KVA/KW	AMPERAGE
415/240	50	3	0,8	30,0/24,0	33,0/26,4	45,96
400/230	50	3	0,8	30,0/24,0	33,0/26,4	47,69
380/220	50	3	0,8	30,0/24,0	33,0/26,4	50,2
240/139	50	3	0,8	30,0/24,0	33,0/26,4	79,48
230/133	50	3	0,8	30,0/24,0	33,0/26,4	82,94
220/127	50	3	0,8	30,0/24,0	33,0/26,4	86,71

ELECTRO EXIM SRL

ELECTRO EXIM SRL
21 Ialomicioarei St., sector 1, code 011277, BUCHAREST - ROMANIA
Phone: 0040 21 2231347 - 0040 744 755 390 - FAX: 0040 21 2231201
E-mail: office@electroexim.com - Web: www.electroexim.ro

AI-033 - FPT - F 32AM 1A

1.500 R.P.M. | 50 Hz

ENGINE CHARACTERISTICS

MAKE	MODEL
FPT	F32AM1A

GENERAL DATA

Power PRP (kWm)	28.50
Power LTP (kWm)	31.50
No. cylinders	4
Cylinder capacity (L)	3.20
Diameter per stroke (mm)	108 x 130
Compression ratio	17.00
Cooling system	LIQUID
Injection	DIRECT
Suction	NATURAL
Series regulator	MECHANICAL
Fly wheel coupling	3-11,5"

Lubrication system

Oil capacity (L)	10
Oil consumption (%)	0.10
Min. alarm oil pressure (bar)	0.60

Ventilation system

Air cooling flow (m3/h)	5040
Combustion air flow (m3/h)	112
Max. back pressure for fan (mbar)	20

Exhaust system

Exhaust gas flow (m3/h)	338
Exhaust back pressure (mbar)	50
Temp. exhaust gases (°C)	400

Electrical system

VDC (V)	12
Battery (Ah)	100
Engine start-up (kW)	3

ELECTRO EXIM SRL

ELECTRO EXIM SRL
21 Ialomicioarei St., sector 1, code 011277, BUCHAREST - ROMANIA
Phone: 0040 21 2231347 - 0040 744 755 390 - FAX: 0040 21 2231201
E-mail: office@electroexim.com - Web: www.electroexim.ro

AI-033 - FPT - F 32AM 1A

1.500 R.P.M. | 50 Hz

ALTERNATOR CHARACTERISTICS

MODEL

MECC-ALTE ECP 28-VL / 4 (400 / 230 V)

GENERAL DATA

Power PRP (kVA)	30
Power LTP (kVA)	33.00
Efficiency Alt. 3/4 %	88.50
Efficiency Alt. 4/4 %	88.10
No. Poles	4
Voltage regulator	DSR
No. wires	12
Insulation	H
Xd (%)	165
X'd (%)	15.40
X	8.80
Degree of protection	IP23

GENERATOR SET CONSUMPTION

% POWER USED	LITRES/HOUR
50%	4.30
75%	6.50
100%	9.60

DIMENSIONS, CAPACITIES, APPROXIMATE WEIGHT AND NOISE

LENGTH	DIMENSIONS (MM)	
	WIDTH	HEIGHT
1700	730	1634
FUEL TANK (LITRES)		WEIGHT (KG)
105		680.00
NOISE LEVEL (dB (A))		

AI-033 - FPT - F 32AM 1A

1.500 R.P.M. | 50 Hz

INMESOL GENERATOR SET

GENERAL DESCRIPTION

The “INMESOL” generator set is an electrical energy generating machine which is used in places where there **is no mains supply** or when there is a MAINS failure.

The mobile elements, distribution belt, fan, etc., and those parts which reach high temperatures during operation, exhaust manifold, etc, include their corresponding protections, in compliance with the requirements of the Machinery Directive **2006/42**.

REGULATIONS

The machine holds the “CE” marking, and the corresponding Declaration of Conformity is issued with each of them, in which it specifies that the machine complies with **R.D 842/2002 Low Voltage Regulations and with the European Directives:**

- 2006/42 on Safety in Machinery.
- 2006/95/CE on Electrical Safety.
- 2004/108/CE on Electromagnetic Compatibility.
- 2005/88/CE on NOISE EMISSIONS by equipment for outdoor use (for SOUNDPROOF GENERATOR SETS).

AI-033 - FPT - F 32AM 1A

1.500 R.P.M. | 50 Hz

IN INDUSTRIAL RANGE / SCOPE OF SUPPLY

		
Engine/alternator monobloc directly connected and installed via silent blocks on a frame made from high tensile electro welded steel profiles that are treated with degreasing liquids and aplicated with a phosphate coat and epoxi paint.	✓	✓
Canopy of steel sheet sound proofed with fireproof rockwool, and treated with degreasing liquids and aplicated with a phosphate coat and epoxi paint.	•	✓
Fuel tank integrated in the base frame provided with fuel level jauge and fuel connections to the engine.	✓	✓
Engine with mechanical engine driven pusher fan.	✓	✓
Industrial silencer with -15 db(A) noise reduction and exhaust outlet tube.	✓	•
Residencial silencer with -35 db(A) noise reduction with exhaust tube and protection cap.	•	✓
Electric control cubicle with control module including protection and reading of electrical meassures engine instrumentation fuel level and engine running hours, etc.	✓	✓
Termal and magnetic circuit breaker and termal and magnetic circuit breaker and earth fault relay.	✓	✓
Battery charge alternator.	✓	✓
Starter battery complete with cables to the engine and pole protection.	✓	✓
Installation prepared for earthing spike (spike not included).	✓	✓
Security protection for heat and moving parts as well as live electrical components.	✓	✓
External emergency stop push button.	✓	✓
Manual engine oil extraction pump.	•	✓
Self excited and auto regulated alternator.	✓	✓
Integrated lifting hook for single point lifting with crane, gensets up to 450 kVA (Except in swing-out cover model)	•	✓
4 Lifting points for gen sets from 450 kVA and bigger.	✓	•
Preparate for extended fuel tank, fully bomded for leakage protection.	✓	✓
Base frame is prepared for trailer kit installation.	✓	✓
Standard electronic speed governor on engines from 220 kVA (LTP) and up.	✓	✓
Horizontal outlet for hot air	•	✓

AI-033 - FPT - F 32AM 1A

1.500 R.P.M. | 50 Hz

DSE 3110 MANUAL CONTROL PANEL

DSE 3110 MANUAL CONTROL PANEL

MANUAL CONTROL, PROTECTION AND DISTRIBUTION panel, assembled on the generator set in metal cabinet with a DSE 3110 engine protection unit.



It has the following:

Image for guidance purposes.

1 STARTER SWITCH

2 EMERGENCY STOP PUSHBUTTON

3 MEASURING INSTRUMENTS:

- Analogue ammeters
- Analogue voltmeter
- Fuel level indicator.
- Digital Hz display and hour meter (DSE 3110)

DSE 3110 MANUAL CONTROL PANEL

4 SET CONTROL AND ENGINE PROTECTION: DSE 3110, allows:

- START AND STOP the set MANUALLY.
- Possibility of doing it AUTOMATICALLY via START ON SIGNAL
- Digital readings of the operating hours and the Frequency
- Controls the main characteristics of the engine, causing an alarm or stopping the machine:
 - 1.Low and High Voltage (STOP)
 - 2.Low and High Frequency and Speed (STOP)
 - 3.Low Oil Pressure and High Coolant Temperature (STOP)
 - 4.Failure of the Alternator Battery-Charger (ALARM)
 - 5.Low fuel level (ALARM)

5 PROTECTIONS:

- Magnetothermal Protections
- Earth Leak Protection
- Protection fuses for control module

AI-033 - FPT - F 32AM 1A

1.500 R.P.M. | 50 Hz

DSE 3110 MANUAL CONTROL PANEL

For OPEN sets - Three-phase generators (single phase by request):

CONT . POW.	MAGNETO. PROTECTION (A)	EARTH LEAK PROTECTION	DISTRIBUTION
SET POWER	10 kVA	4P, 16A (B) 1P+N 16 A (C)	Mod. 16A, 300 mA 1 BASE CEE 3P+N+T 16A 1 BASE CEE 2P+T 16 A
	15 kVA	4P, 25A (B) 1P+N 16 A (C)	Mod. 25A, 300 mA 1 BASE CEE 3P+N+T 32A 1 BASE CEE 2P+T 16 A
	20 kVA	4P, 32A (B)	Mod. 32 A, 300 mA POWER TERMINALS
	30 kVA	4P, 50 A (B)	Mod. 63 A, 300 mA POWER TERMINALS
	40 kVA	4P, 63 A (B)	Mod. 63 A, 300 mA POWER TERMINALS
	50 kVA	4P, 80 A (B)	Electronic adjustable POWER TERMINALS
	60 kVA	4P, 100 A (B)	Electronic adjustable POWER TERMINALS
	75-80 kVA	4P, 125 A (B)	Electronic adjustable POWER TERMINALS
	100 kVA	3P, 160 A (B)	Electronic adjustable POWER TERMINALS
	125-170 kVA	3P, 250 A (B)	Electronic adjustable POWER TERMINALS
	180-275 kVA	3P, 400 A (B)	Electronic adjustable OUTPUT DIRECTLY FROM THE CIRCUIT BREAKER
	300-430 kVA	3P, 630 A (B)	Electronic adjustable OUTPUT DIRECTLY FROM THE CIRCUIT BREAKER
	450-550 kVA	3P, 800 A (B)	Electronic adjustable OUTPUT DIRECTLY FROM THE CIRCUIT BREAKER
	570-665 kVA	3P, 1000 A (B)	Electronic adjustable OUTPUT DIRECTLY FROM THE CIRCUIT BREAKER

AI-033 - FPT - F 32AM 1A

1.500 R.P.M. | 50 Hz

DSE 3110 MANUAL CONTROL PANEL

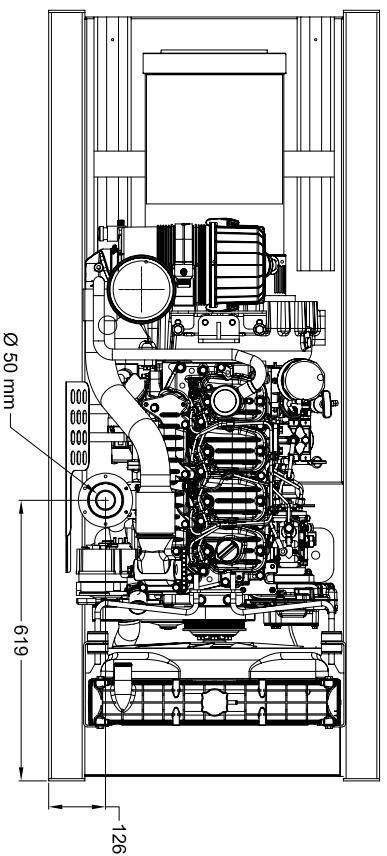
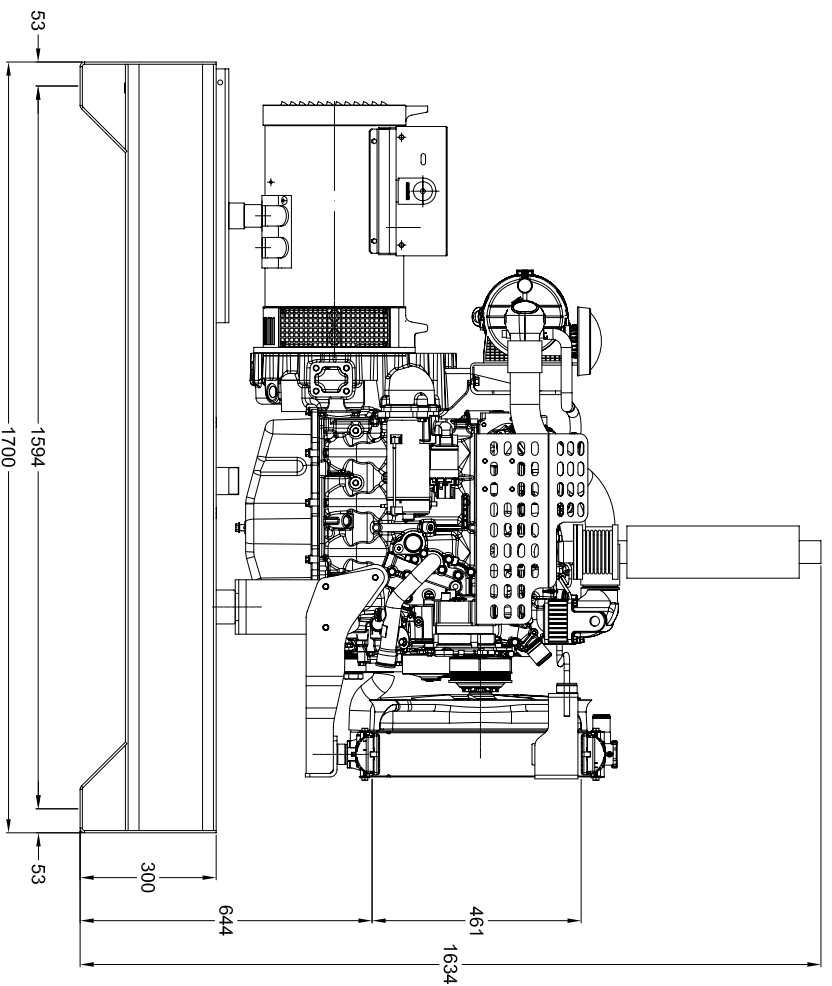
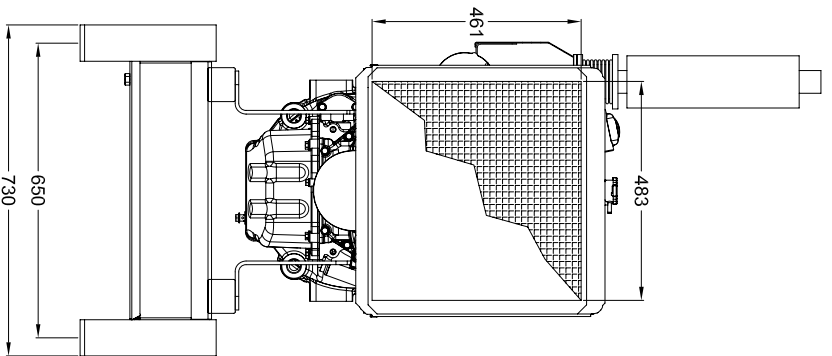
6 OPTIONAL:


AUTOMATIC PANEL FOR MANUAL GENERATOR: ATS DSE 334

- This panel provides the manual control generator with a reserve operation from the Mains, as the ATS sends the command to start and stop the generator, when it detects a supply failure and when the Mains is restored

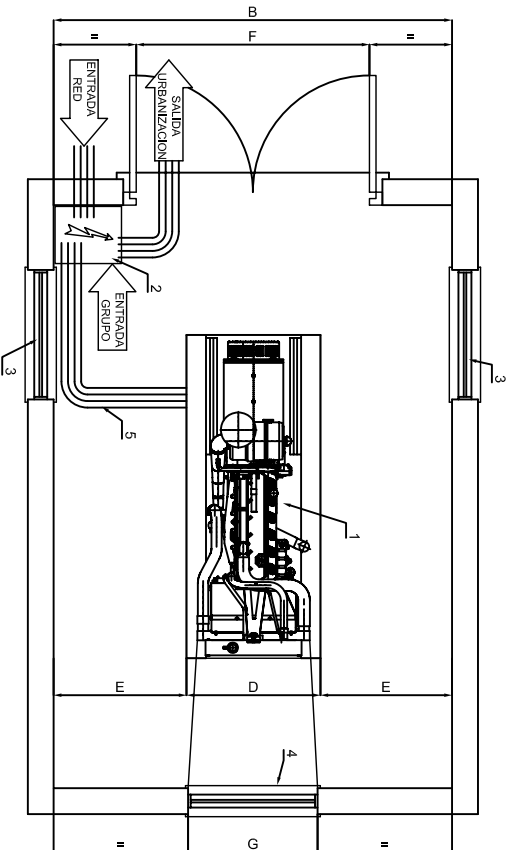
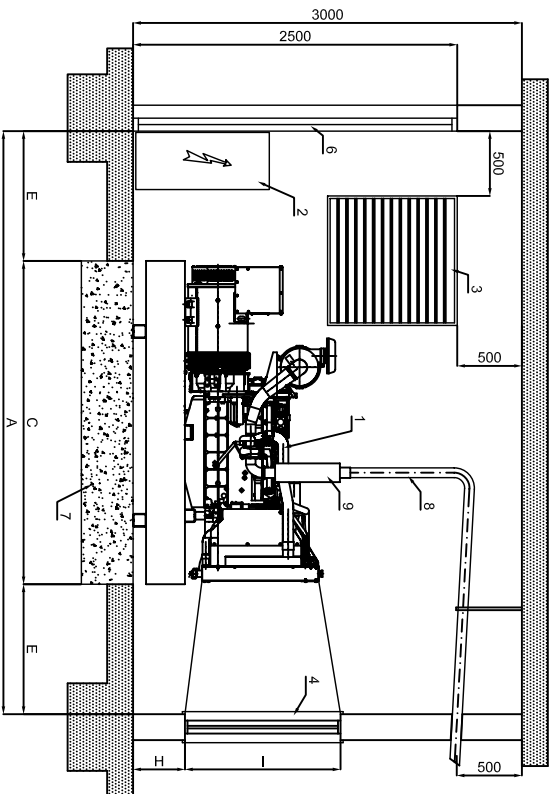


Cubicle composed of the electronic control module which is detecting a mains failure and of 2 contactors mechanically and electrically interlocked or a motorized switch controlled by the above electronic controller who are realizing the change of supply from the GEN SET or the MAINS to the load.



		PROYECTO:	
G.E. EST-STD 30 Kva IVECO (F32 AM1A)		MATERIAL:	
<small>Las tolerancias o cumplir en ausencia de otra, se habrán referido a las especificaciones de los dibujos de fabricación, así como a las especificaciones de los planos de montaje y de mantenimiento, así como a las especificaciones de los planos de montaje y de mantenimiento.</small>	<small>MODIFICADO</small>	<small>JASBEAR</small>	<small>TOLERANCIA GENERAL</small>
<small>CODIGO</small>	<small>COMPROBADO</small>	<small>ALSOGLAND</small>	<small>UDS</small>
<small>REPO</small>	<small>DENOMINACION:</small>	<small>G.E. EST-STD 30 Kva IVECO (F32 AM1A)</small>	<small>EXPEDIENTE:</small>
<small>ESCALA</small>	<small>DIMENSIONES GENERALES</small>	<small>Nº PLANO</small>	<small>MARCA</small>

CAPACIDAD DE DEPOSITO = 105 LTS



DIMENSIONES DE SALA SEGUN POTENCIA												
POTENCIA	A	B	C	D	E	F	G	H	I	d	PESO	SECCION HUECO ENTRADA AIRE
30 Kva	3700	2730	1700	730	1000	1230	700	500	600	50	630	2x0.50 m2
40 Kva	3700	2730	1700	730	1000	1230	800	500	700	50	720	2x0.60 m2
60 Kva	3900	2900	1900	900	1000	1400	800	500	800	80	1000	2x0.80 m2
75 Kva	3900	2900	1900	900	1000	1400	800	500	800	80	1080	2x0.80 m2
85 Kva	3900	2900	1900	900	1000	1400	800	500	800	80	1100	2x0.90 m2
105 Kva	3900	2900	1900	900	1000	1400	900	500	900	80	1400	2x1.00 m2
130 Kva	4360	3035	2360	1035	1000	1535	900	500	900	80	1440	2x1.00 m2
150 Kva	4360	3035	2360	1035	1000	1535	900	500	900	80	1460	2x1.00 m2
200 Kva	4360	3035	2360	1035	1000	1535	900	500	900	80	1608	2x1.00 m2
275 Kva	5000	3300	3000	1300	1000	1800	1000	500	900	110	1950	2x1.00 m2
300 Kva	5000	3300	3000	1300	1000	1800	1000	500	900	110	2770	2x1.00 m2
350 Kva	5000	3300	3000	1300	1000	1800	1000	500	900	110	3295	2x1.00 m2
400 Kva	5000	3300	3000	1300	1000	1800	1000	500	900	110	3295	2x1.30 m2

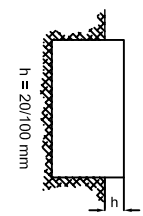
- NOMENCLATURA**
- 1.- GRUPO ELECTROGENO
 - 2.- CUADRO DE CONTROL
 - 3.- HUECO ENTRADA DEL AIRE
 - 4.- TUNEL DE EXPULSION DEL AIRE
 - 5.- BANDEJA PASACABLES
 - 6.- PUERTA DE ACCESO
 - 7.- BASE HORMIGON ARMADO H-175
 - 8.- TUBO DE ESCAPE
 - 9.- SILENCIADOR DE ESCAPE

EL Ø DE LA TUBERIA DE EXTENSION DEL ESCAPE PUEDE SER EL MISMO QUE EL DEL SILENCIADOR HASTA 5 m. PARA DISTANCAS MAYORES DE 5 m. DEBE AUMENTARSE EL Ø DE LA TUBERIA 10 mm POR CADA 10 m MAS DE DISTANCIA ENTRE EL GRUPO ELECTROGENO Y LA SALIDA EXTERIOR

CALCULO ESPESOR LOSA DE HORMIGON

$$D = \frac{W}{d \times B \times L}$$

D = altura bloque de hormigon
W = peso total grupo electrogeno.
d = densidad del hormigon (2400 kg/m3)
B = anchura bloque de hormigon (m)
L = longitud bloque de hormigon (m)



	PROYECTO: GRUPO ESTATICO ESTANDAR IVECO			
	MODIFICADO	J.S.BELAR	07-Sep-2011	MATERIAL
<small>Las informaciones que aparecen en esta obra, a no ser que se indique lo contrario, son de exclusiva responsabilidad de IMMESOL S.L. y no se responsabiliza de su veracidad ni de su contenido. IMMESOL S.L. no se responsabiliza de su veracidad ni de su contenido. IMMESOL S.L. no se responsabiliza de su veracidad ni de su contenido.</small>	DIBUJADO	J.S.BELAR	03-Mar-2006	TOLERANCIA GENERAL
	COMPROBADO	A.L.SOLANO	07-Sep-2011	UDS. I
RESO	DENOMINACION: GRUPOS EST-STD IVECO			
ESCALA	DIMENSIONES DE SALA			
				EXPEDIENTE:
				Nº PLANO
				MARCA