

AD-330 - DEUTZ - BF6M 1015 C

1.500 R.P.M. | 50 Hz

TECHNICAL SPECIFICATIONS



Model:

AD-330

Gen set with manual control panel.

Image for guidance purposes.

(400 / 230 V)

ENGINE	MAKE	MODEL
	DEUTZ	BF6M 1015 C
ALTERNATOR	MODEL	
	MECC-ALTE ECO 38-2LN	

CONTINUOUS POWER:
(PRP "Prime Power" norma ISO 8528-1) **300 kVA**

STAND-BY POWER:
(LTP "Limited Time Power" norma ISO 8528-1) **330 kVA**

Amperes in the different voltages:

VOLTAGE	HZ	PHASE	COS Ø	PRP KVA/KW	LTP KVA/KW	AMPERAGE
415/240	50	3	0,8	300,0/240,0	330,0/264,0	459,64
400/230	50	3	0,8	300,0/240,0	330,0/264,0	476,88
380/220	50	3	0,8	300,0/240,0	330,0/264,0	501,98
240/139	50	3	0,8	300,0/240,0	330,0/264,0	794,8
230/133	50	3	0,8	300,0/240,0	330,0/264,0	829,35
220/127	50	3	0,8	300,0/240,0	330,0/264,0	867,05

ELECTRO EXIM SRL

ELECTRO EXIM SRL
21 Ialomicioarei St., sector 1, code 011277, BUCHAREST - ROMANIA
Phone: 0040 21 2231347 - 0040 744 755 390 - FAX: 0040 21 2231201
E-mail: office@electroexim.com - Web: www.electroexim.ro

AD-330 - DEUTZ - BF6M 1015 C

1.500 R.P.M. | 50 Hz

ENGINE CHARACTERISTICS

MAKE	MODEL
DEUTZ	BF6M 1015 C

GENERAL DATA

Power PRP (kWm)	271.20
Power LTP (kWm)	300.20
No. cylinders	6
Cylinder capacity (L)	4.76
Diameter per stroke (mm)	132 x 145
Compression ratio	16.50
Cooling system	LIQUID
Injection	DIRECT
Suction	TURBO
Series regulator	ELECTRONIC
Fly wheel coupling	1 - 14"

Lubrication system

Oil capacity (L)	34
Oil consumption (%)	0.30
Min. alarm oil pressure (bar)	3

Ventilation system

Air cooling flow (m3/h)	20952
Combustion air flow (m3/h)	1460
Max. back pressure for fan (mbar)	0

Exhaust system

Exhaust gas flow (m3/h)	3995
Exhaust back pressure (mbar)	50
Temp. exhaust gases (°C)	510

Electrical system

VDC (V)	24
Battery (Ah)	2 x 180
Engine start-up (kW)	5.40

ELECTRO EXIM SRL

ELECTRO EXIM SRL
 21 Ialomicioarei St., sector 1, code 011277, BUCHAREST - ROMANIA
 Phone: 0040 21 2231347 - 0040 744 755 390 - FAX: 0040 21 2231201
 E-mail: office@electroexim.com - Web: www.electroexim.ro

AD-330 - DEUTZ - BF6M 1015 C

1.500 R.P.M. | 50 Hz

ALTERNATOR CHARACTERISTICS

MODEL

MECC-ALTE ECO 38-2LN (400 / 230 V)

GENERAL DATA

Power PRP (kVA)	300
Power LTP (kVA)	330
Efficiency Alt. 3/4 %	94
Efficiency Alt. 4/4 %	93.70
No. Poles	4
Voltage regulator	DSR
No. wires	12
Insulation	H
Xd (%)	208
X'd (%)	14.00
X	7.20
Degree of protection	IP21

GENERATOR SET CONSUMPTION

% POWER USED	LITRES/HOUR
50%	37.90
75%	56.90
100%	76.60

DIMENSIONS, CAPACITIES, APPROXIMATE WEIGHT AND NOISE

LENGTH	DIMENSIONS (MM)	
	WIDTH	HEIGHT
2750	1515	2252
FUEL TANK (LITRES)		WEIGHT (KG)
562		-
NOISE LEVEL (dB (A))		

ELECTRO EXIM SRL

ELECTRO EXIM SRL
 21 Ialomicioarei St., sector 1, code 011277, BUCHAREST - ROMANIA
 Phone: 0040 21 2231347 - 0040 744 755 390 - FAX: 0040 21 2231201
 E-mail: office@electroexim.com - Web: www.electroexim.ro

AD-330 - DEUTZ - BF6M 1015 C

1.500 R.P.M. | 50 Hz

INMESOL GENERATOR SET

GENERAL DESCRIPTION

The "INMESOL" generator set is an electrical energy generating machine which is used in places where there **is no mains supply** or when there is a MAINS failure.

The mobile elements, distribution belt, fan, etc., and those parts which reach high temperatures during operation, exhaust manifold, etc, include their corresponding protections, in compliance with the requirements of the Machinery Directive **2006/42**.

REGULATIONS

The machine holds the "CE" marking, and the corresponding Declaration of Conformity is issued with each of them, in which it specifies that the machine complies with **R.D 842/2002 Low Voltage Regulations and with the European Directives:**

- 2006/42 on Safety in Machinery.
- 2006/95/CE on Electrical Safety.
- 2004/108/CE on Electromagnetic Compatibility.
- 2005/88/CE on NOISE EMISSIONS by equipment for outdoor use (for SOUNDPROOF GENERATOR SETS).

AD-330 - DEUTZ - BF6M 1015 C

1.500 R.P.M. | 50 Hz

IN INDUSTRIAL RANGE / SCOPE OF SUPPLY

		
Engine/alternator monobloc directly connected and installed via silent blocks on a frame made from high tensile electro welded steel profiles that are treated with degreasing liquids and aplicated with a phosphate coat and epoxi paint.	✓	✓
Canopy of steel sheet sound proofed with fireproof rockwool, and treated with degreasing liquids and aplicated with a phosphate coat and epoxi paint.	•	✓
Fuel tank integrated in the base frame provided with fuel level jauge and fuel connections to the engine.	✓	✓
Engine with mechanical engine driven pusher fan.	✓	✓
Industrial silencer with -15 db(A) noise reduction and exhaust outlet tube.	✓	•
Residencial silencer with -35 db(A) noise reduction with exhaust tube and protection cap.	•	✓
Electric control cubicle with control module including protection and reading of electrical meassures engine instrumentation fuel level and engine running hours, etc.	✓	✓
Termal and magnetic circuit breaker and termal and magnetic circuit breaker and earth fault relay.	✓	✓
Battery charge alternator.	✓	✓
Starter battery complete with cables to the engine and pole protection.	✓	✓
Installation prepared for earthing spike (spike not included).	✓	✓
Security protection for heat and moving parts as well as live electrical components.	✓	✓
External emergency stop push button.	✓	✓
Manual engine oil extraction pump.	•	✓
Self excited and auto regulated alternator.	✓	✓
Integrated lifting hook for single point lifting with crane, gensets up to 450 kVA (Except in swing-out cover model)	•	✓
4 Lifting points for gen sets from 450 kVA and bigger.	✓	•
Preparate for extended fuel tank, fully bomded for leakage protection.	✓	✓
Base frame is prepared for trailer kit installation.	✓	✓
Standard electronic speed governor on engines from 220 kVA (LTP) and up.	✓	✓
Horizontal outlet for hot air	•	✓

AD-330 - DEUTZ - BF6M 1015 C

1.500 R.P.M. | 50 Hz

DSE 3110 MANUAL CONTROL PANEL

DSE 3110 MANUAL CONTROL PANEL

MANUAL CONTROL, PROTECTION AND DISTRIBUTION panel, assembled on the generator set in metal cabinet with a DSE 3110 engine protection unit.



It has the following:

Image for guidance purposes.

1 STARTER SWITCH

2 EMERGENCY STOP PUSHBUTTON

3 MEASURING INSTRUMENTS:

- Analogue ammeters
- Analogue voltmeter
- Fuel level indicator.
- Digital Hz display and hour meter (DSE 3110)

AD-330 - DEUTZ - BF6M 1015 C

1.500 R.P.M. | 50 Hz

DSE 3110 MANUAL CONTROL PANEL

4 SET CONTROL AND ENGINE PROTECTION: DSE 3110, allows:

- START AND STOP the set MANUALLY.
- Possibility of doing it AUTOMATICALLY via START ON SIGNAL
- Digital readings of the operating hours and the Frequency
- Controls the main characteristics of the engine, causing an alarm or stopping the machine:
 - 1.Low and High Voltage (STOP)
 - 2.Low and High Frequency and Speed (STOP)
 - 3.Low Oil Pressure and High Coolant Temperature (STOP)
 - 4.Failure of the Alternator Battery-Charger (ALARM)
 - 5.Low fuel level (ALARM)

5 PROTECTIONS:

- Magnetothermal Protections
- Earth Leak Protection
- Protection fuses for control module

AD-330 - DEUTZ - BF6M 1015 C

1.500 R.P.M. | 50 Hz

DSE 3110 MANUAL CONTROL PANEL

For OPEN sets - Three-phase generators (single phase by request):

CONT . POW.	MAGNETO. PROTECTION (A)	EARTH LEAK PROTECTION	DISTRIBUTION
SET POWER	10 kVA	4P, 16A (B) 1P+N 16 A (C)	Mod. 16A, 300 mA 1 BASE CEE 3P+N+T 16A 1 BASE CEE 2P+T 16 A
	15 kVA	4P, 25A (B) 1P+N 16 A (C)	Mod. 25A, 300 mA 1 BASE CEE 3P+N+T 32A 1 BASE CEE 2P+T 16 A
	20 kVA	4P, 32A (B)	Mod. 32 A, 300 mA POWER TERMINALS
	30 kVA	4P, 50 A (B)	Mod. 63 A, 300 mA POWER TERMINALS
	40 kVA	4P, 63 A (B)	Mod. 63 A, 300 mA POWER TERMINALS
	50 kVA	4P, 80 A (B)	Electronic adjustable POWER TERMINALS
	60 kVA	4P, 100 A (B)	Electronic adjustable POWER TERMINALS
	75-80 kVA	4P, 125 A (B)	Electronic adjustable POWER TERMINALS
	100 kVA	3P, 160 A (B)	Electronic adjustable POWER TERMINALS
	125-170 kVA	3P, 250 A (B)	Electronic adjustable POWER TERMINALS
	180-275 kVA	3P, 400 A (B)	Electronic adjustable OUTPUT DIRECTLY FROM THE CIRCUIT BREAKER
	300-430 kVA	3P, 630 A (B)	Electronic adjustable OUTPUT DIRECTLY FROM THE CIRCUIT BREAKER
	450-550 kVA	3P, 800 A (B)	Electronic adjustable OUTPUT DIRECTLY FROM THE CIRCUIT BREAKER
	570-665 kVA	3P, 1000 A (B)	Electronic adjustable OUTPUT DIRECTLY FROM THE CIRCUIT BREAKER

AD-330 - DEUTZ - BF6M 1015 C

1.500 R.P.M. | 50 Hz

DSE 3110 MANUAL CONTROL PANEL

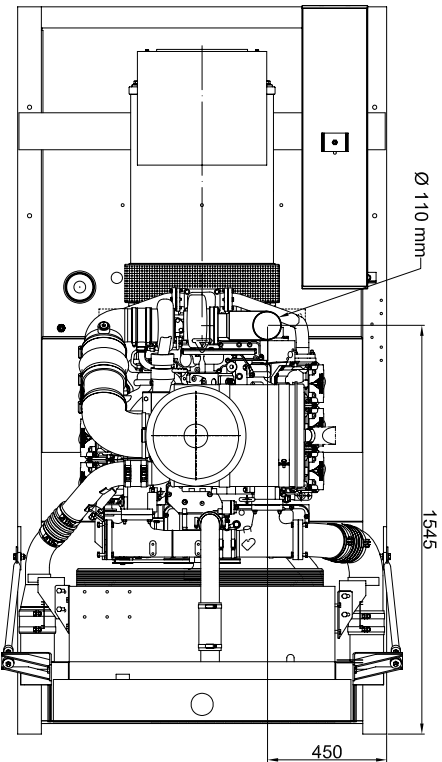
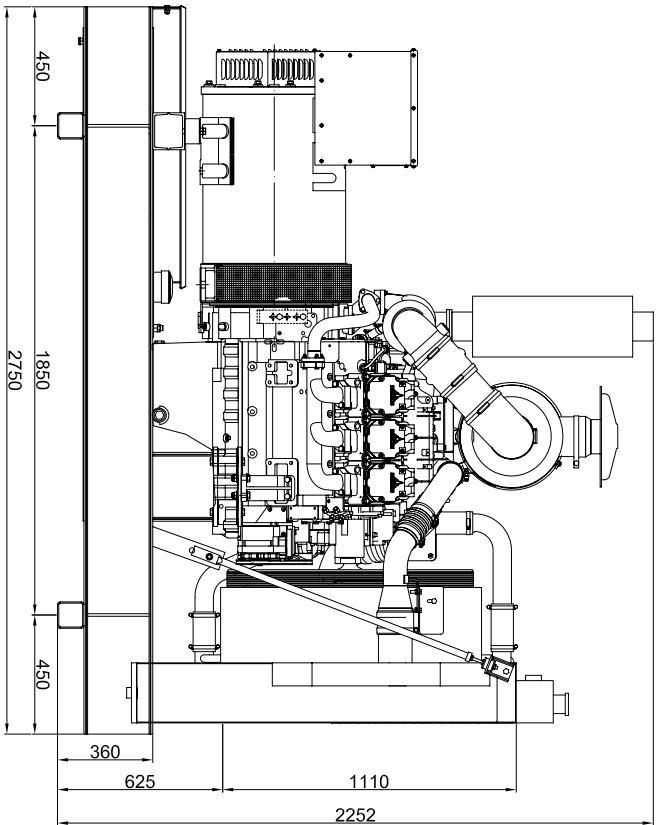
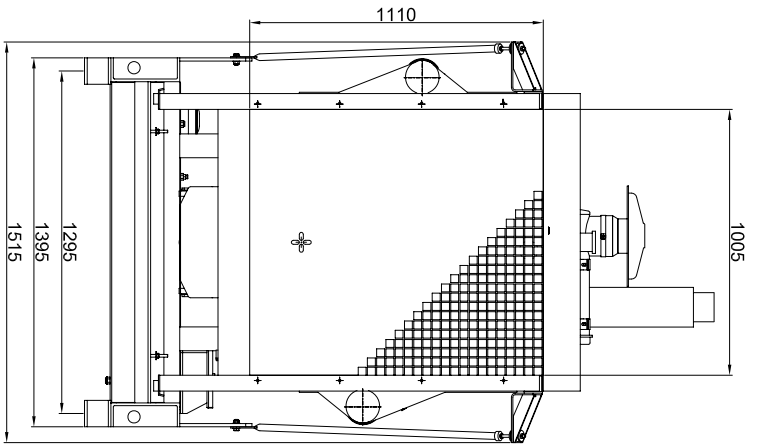
6 OPTIONAL:

AUTOMATIC PANEL FOR MANUAL GENERATOR: ATS DSE 334

- This panel provides the manual control generator with a reserve operation from the Mains, as the ATS sends the command to start and stop the generator, when it detects a supply failure and when the Mains is restored

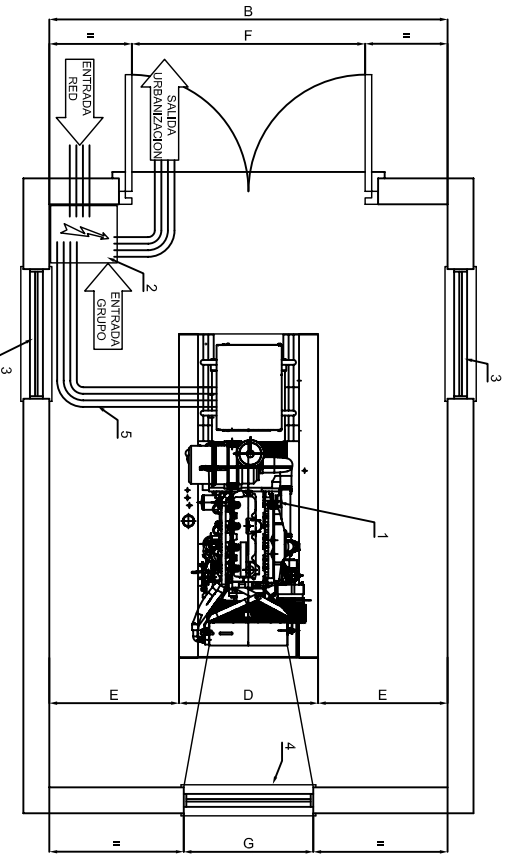
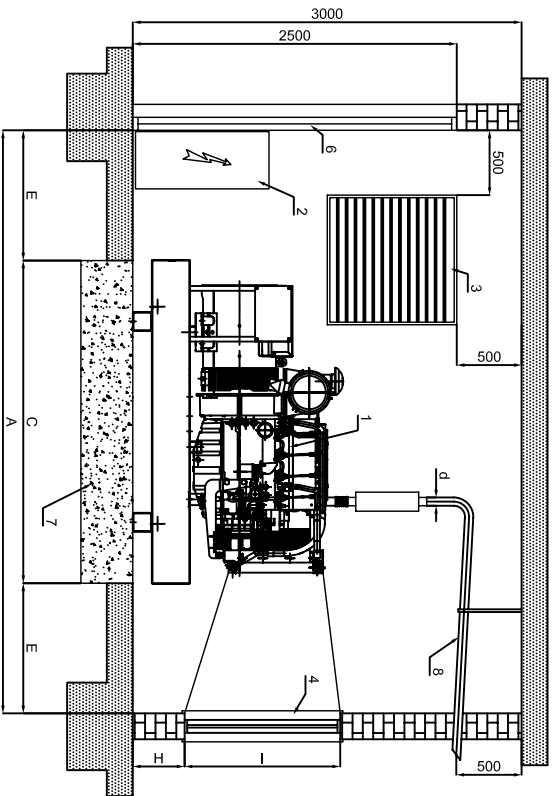


Cubicle composed of the electronic control module which is detecting a mains failure and of 2 contactors mechanically and electrically interlocked or a motorized switch controlled by the above electronic controller who are realizing the change of supply from the GEN SET or the MAINS to the load.



CAPACIDAD DE DEPÓSITO = 562 LTS

		Las tolerancias o surtos de agua de origen, a de fabrica, se refieren a los datos de fabrica y no a los datos de montaje. La capacidad de depósito de agua se refiere a los datos de fabrica y no a los datos de montaje. La capacidad de depósito de agua se refiere a los datos de fabrica y no a los datos de montaje.	
PROYECTO:	G.E. EST-STD 312 Kva DEUTZ (AGUA)		
MODIFICADO	JASBEAR	12-Ago-2011	MATERIAL
COMPROBADO	ALSOGLAND	12-Ago-2011	TOLERANCIA GENERAL
DENOMINACION:	G.E. EST-STD 312 Kva DEUTZ		
ESCALA	DIMENSIONES GENERALES		
REVISION	UDS	mm	EXPEDIENTE:
			Nº PLANO
			MARCA



DIMENSIONES DE SALA SEGUN POTENCIA												
POTENCIA	A	B	C	D	E	F	G	H	I	d	PESO	SECCION HUECO ENTRADA AIRE
30 Kva	3700	2300	1700	730	1000	1250	700	400	600	50	620 kg	2 x 0.50 m ²
40 Kva	3700	2300	1700	730	1000	1250	700	500	600	80	700 kg	2 x 0.50 m ²
60 Kva	3900	2500	1900	900	1000	1400	700	500	600	80	1000 kg	2 x 0.50 m ²
85 Kva	4050	2500	2050	930	1000	1430	800	500	700	80	1100 kg	2 x 0.60 m ²
105 Kva	4250	2500	2250	930	1000	1430	800	500	800	80	1320 kg	2 x 0.80 m ²
130 Kva	4357	2500	2357	1035	1000	1535	800	500	800	80	1460 kg	2 x 0.80 m ²
150 Kva	4500	2500	2500	1035	1000	1535	800	500	800	80	1620 kg	2 x 0.90 m ²
200 Kva	4500	2500	2500	1035	1000	1535	900	500	900	110	1740 kg	2 x 1.00 m ²
250 Kva	5000	2500	3000	1200	1000	1700	900	500	900	110	2200 kg	2 x 1.00 m ²
312 Kva	4750	2500	2750	1515	1000	2015	1000	500	1100	2x110	2940 kg	2 x 1.20 m ²
380 Kva	4750	3000	2750	1515	1000	2015	1300	500	1300	2x110	3360 kg	2 x 2.50 m ²
429 Kva	5000	3000	3000	1815	1000	2315	1300	500	1300	2x110	3700 kg	2 x 2.50 m ²
500 Kva	5000	3000	3000	1815	1000	2315	1300	500	1300	2x110	3920 kg	2 x 2.50 m ²

- NOMENCLATURA**
- 1.- GRUPO ELECTROGENO
 - 2.- CUADRO DE CONTROL
 - 3.- HUECO ENTRADA DEL AIRE
 - 4.- TUNEL DE EXPULSION DEL AIRE
 - 5.- BANDEJA PASACABLES
 - 6.- PUERTA DE ACCESO
 - 7.- BASE HORMIGON ARMADO H-175
 - 8.- TUBO DE ESCAPE
 - 9.- MANGUITO FLEXIBLE
 - 10.- SILENCIADOR DE ESCAPE

EL Ø DE LA TUBERIA DE EXTENSION DEL ESCAPE PUEDE SER EL MISMO QUE EL DEL SILENCIADOR HASTA 5 m. PARA DISTANCAS MAYORES DE 5 m. DEBE AUMENTARSE EL Ø DE LA TUBERIA 10 mm POR CADA 10 m MAS DE DISTANCIA ENTRE EL GRUPO ELECTROGENO Y LA SALIDA EXTERIOR

CALCULO ESPESOR LOSA DE HORMIGON

$$D = \frac{W}{d \times B \times L}$$

D = altura bloque de hormigon
W = peso total grupo electrogeno
d = densidad del hormigon (2400 kg/m³)
B = anchura bloque de hormigon (m)
L = longitud bloque de hormigon (m)

h = 20/100 mm

INMESOL NEWLINE SOLUTIONS

PROYECTO: **GRUPO ESTATICO ESTANDAR DEUTZ**

MODIFICADO	J.S.BELAR	07-Sep-2011	MATERIAL
DIBUJADO	J.S.BELAR	03-Mar-2006	TOLERANCIA GENERAL
COMPROBADO	A.L.SOLANO	07-Sep-2011	UDS

GRUPOS EST-STD DEUTZ
DIMENSIONES DE SALA

ESCALA

Las informaciones o cualquier otro tipo de datos, que se encuentren en este documento, son propiedad de INMESOL y no deben ser utilizados sin el consentimiento expreso de INMESOL.